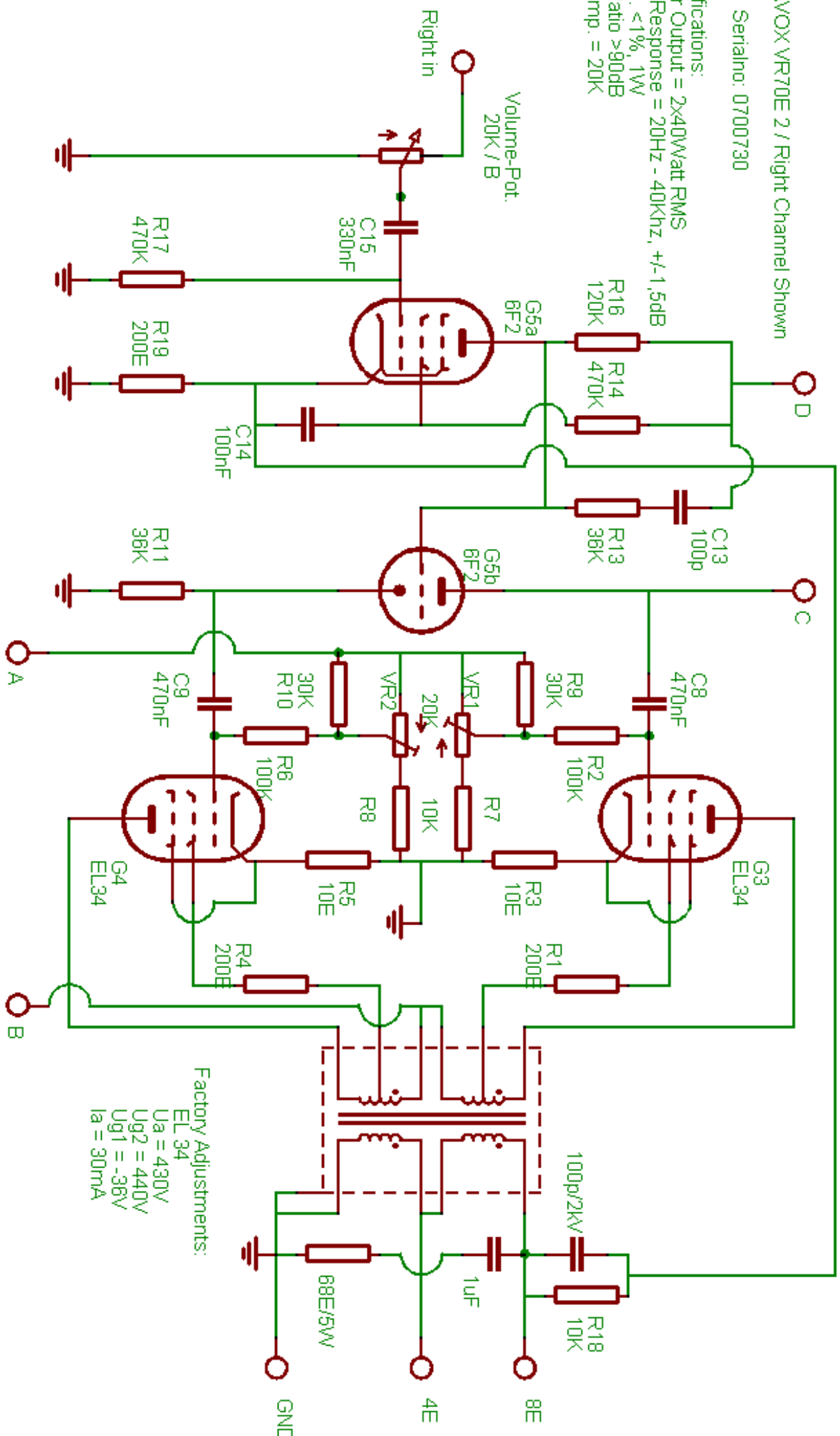


DYNAVOX VR70E 2 / Right Channel Shown

Serialno: 0700730

Specifications:
Power Output = 2x40Watt RMS
Freq. Response = 20Hz - 40Khz, +/-1,5dB
T.H.D. <1%, 1W
S/N Ratio >90dB
Input Imp. = 20K



Factory Adjustments:

- EL 34
Ua = 430V
Ug2 = 440V
Ug1 = -38V
Ia = 30mA

DYNABOX VR70E 2 / Left Channel Shown

Serialno: 0700730

Specifications:
Power Output = 2x40Watt RMS
Freq. Response = 20Hz - 40Khz, +/-1,5dB
T.H.D. <1%, 1W
S/N Ratio >90dB
Input Imp. = 20K

